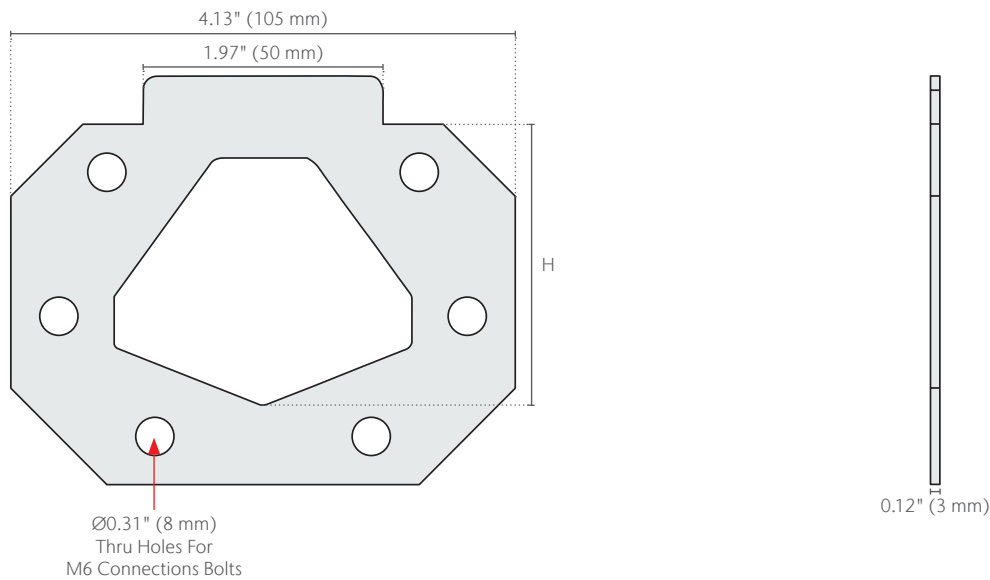


SlotDrain 20 - Rubber End Seals



Parts	Part No.	Material	Height (H) in (mm)	Weight lbs
	413601	NBR	2.76 (70)	0.3
	413602	NBR	2.95 (75)	0.3
	413603	NBR	3.15 (80)	0.3
Rubber End Seals	413604	NBR	3.54 (90)	0.3
	413605	NBR	3.94 (100)	0.3
	413606	NBR	4.33 (110)	0.3
	413607	NBR	4.72 (120)	0.3

Specification Summary

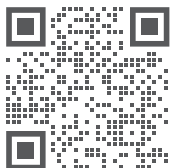
ACO SlotDrain 20 end seals. Overall width 4.13", total height varies - see tables. Made from NBR. Other materials available upon request. All seals provided with connection bolts. Used on ACO Slot 20 channels.

ACO recommends checking local plumbing codes prior to installation.

ACO, Inc.

© January 2026 ACO, Inc.

All reasonable care has been taken in compiling the information in this document. All recommendations and suggestions on the use of ACO products are made without guarantee since the conditions of use are beyond the control of the company. It is the customer's responsibility to ensure that each product is fit for its intended purpose and that the actual conditions of use are suitable. ACO, Inc. reserves the right to change products and specifications without notice.



info@acousa.com
www.acousa.com

